

1	2	3	4	5	6	7	8				
THIS DRAWING AND THE DATA DISCLOSED HEREIN OR HEREWITH IS NOT TO BE REPRODUCED USED OR DISCLOSED IN WHOLE OR IN PART TO ANYONE WITHOUT THE PERMISSION OF JESS-LINK PRODUCTS CO.,LTD.(JPC)				CUSTOMER DRAWING DRWC-XXXXXX		REV.	ECN NO.	DESCRIPTION	MDF'D	APP'D	DATE
						01		INITIAL DESIGN	Philip	Richard	12/15/2023
						02					
						03					

A

B

C

D

E

F

A

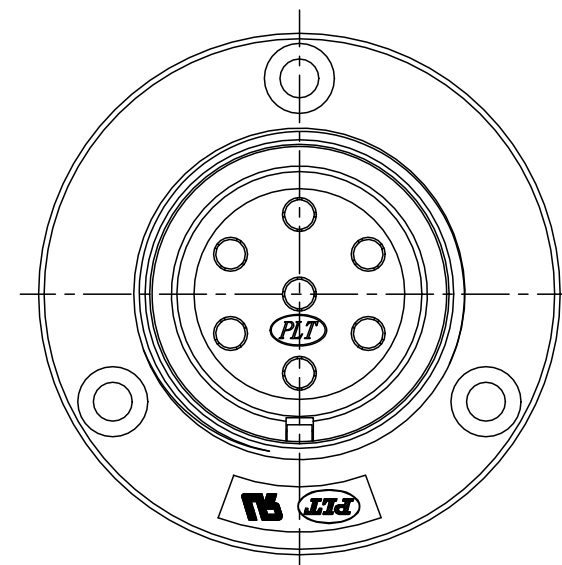
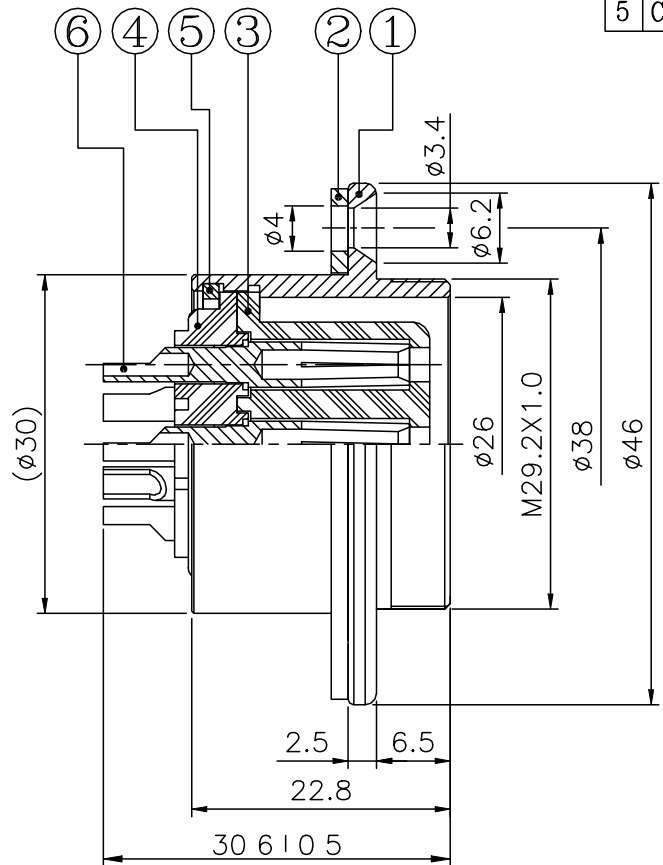
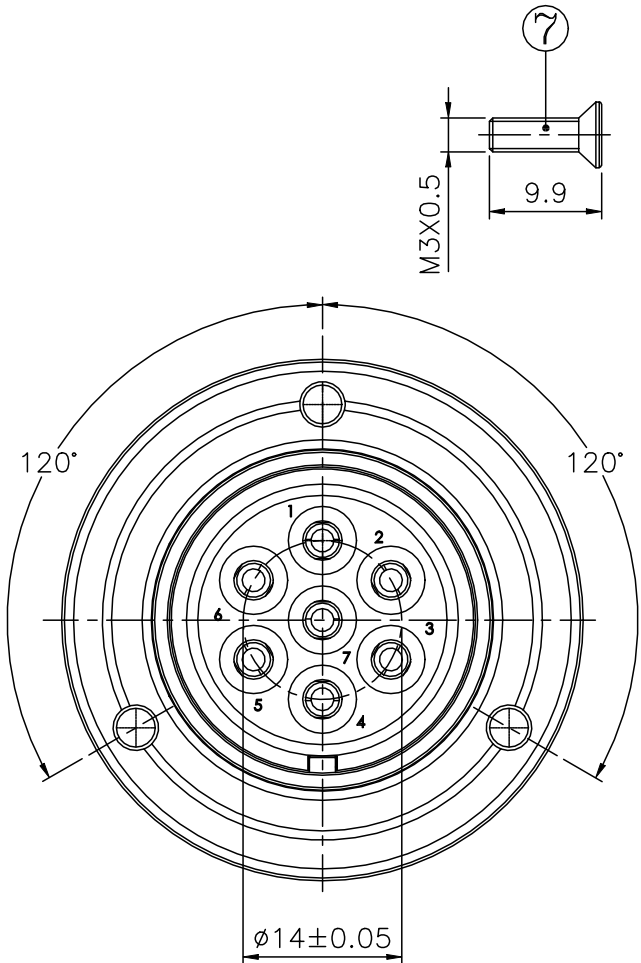
B

C

D

E

F



ELECTRICAL CHARACTERISTICS		
NO.	DESCRIPTION	VALUE
1	Rated Current/voltage	15A 250V
2	Operation limit voltage (AC.V.rms)	400
3	Withstanding voltage (AC.V.rms) 1 minute	1800
4	Insulation resistance(MΩ MIN.) at DC 500V	2000
5	Contact resistance (mΩ MAX.) at DC 1A	3

ITEM	DESCRIPTION	Q'TY
7	SCREW , STEEL , M-NI	3 PCS
6	CONTACT , COPPER ALLOY , M-AU	7 PCS
5	RING , SUS	1 PCS
4	INSULATOR , BAKELITE	1 PCS
3	INSULATOR , BAKELITE	1 PCS
2	WASHER , RUBBER	1 PCS
1	BODY , ZN ALLOY , M-CR	1 PCS

RoHS COMPLIANT

Unit:mm(inch)	PROJECTION	ZCables.com	
GENERAL TOLERANCES: (UNLESS SPECIFIED)	D.R. 12/15/2023	TITLE	PD./FILE NO.
0 =±1 (0.039)	Philip	Industrial Circular-30 Series 7 Pin Receptacle Female Contact	
0.0 =±.5 (0.02)	CH.K 12/15/2023	SCALE	REV. 01
0.00 =±.3 (0.012)	Philip	SIZE	SHEET 1 OF 1
0.000=±.15(0.006)	APV.D 12/15/2023	PART NO.	
0° =± 2'	Richard	PZAAAPLTD30071	
0.0° =± 1'			