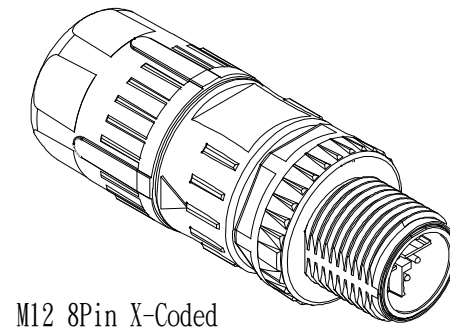
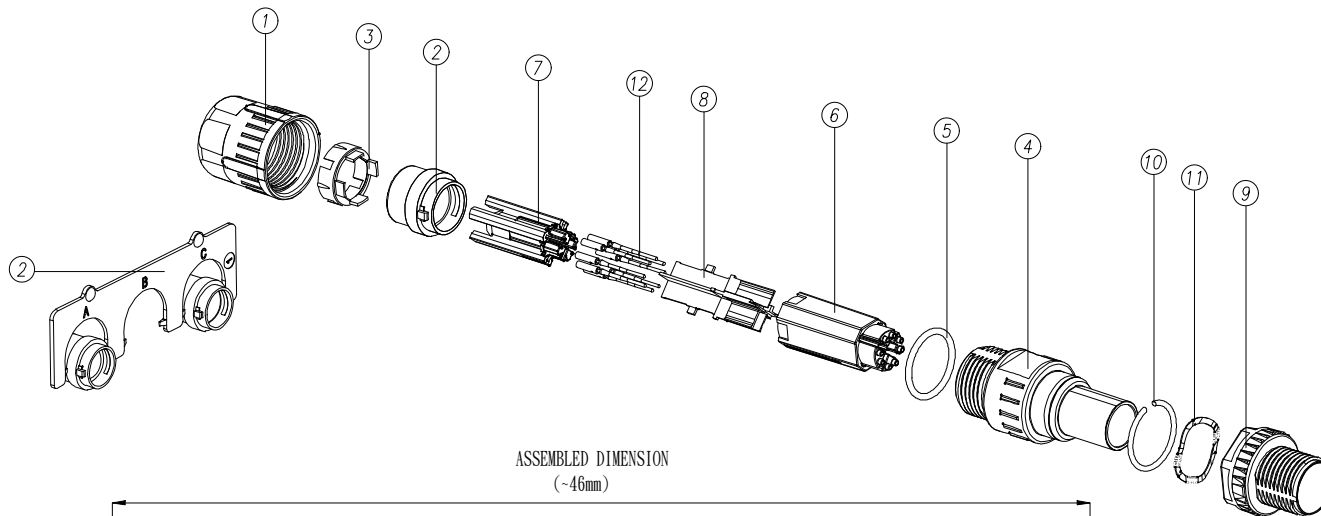
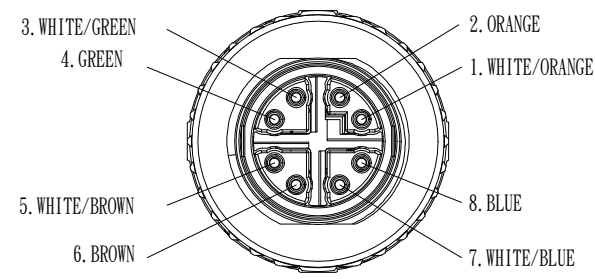


1	2	3	4	5	6	7	8				
THIS DRAWING AND THE DATA DISCLOSED HEREIN OR HEREWITH IS NOT TO BE REPRODUCED USED OR DISCLOSED IN WHOLE OR IN PART TO ANYONE WITHOUT THE PERMISSION OF JESS-LINK PRODUCTS CO.,LTD.(JPC)				CUSTOMER DRAWING DRWC-XXXXXX		REV.	ECN NO.	DESCRIPTION	MDF'D	APP'D	DATE
						01		INITIAL DESIGN	Philip	Richard	12/18/2023
						02					
						03					

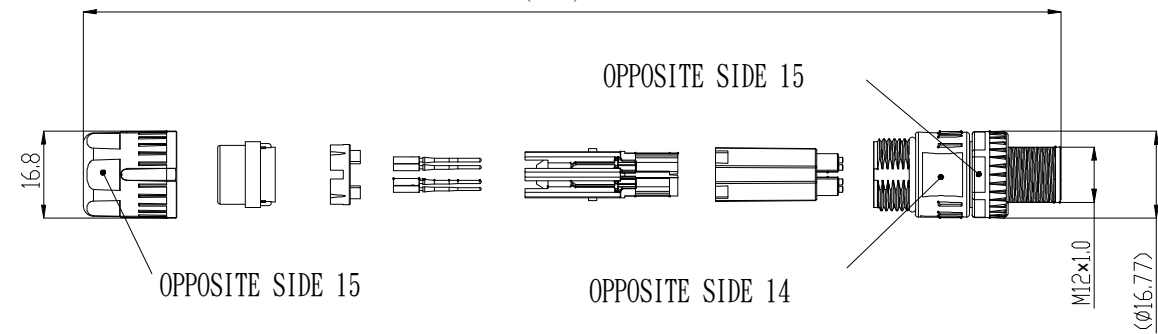


M12 8Pin X-Coded

Ethernet Cable Wire List  
Ethernet Cable : 568B  
(SCALE 3:1)



ASSEMBLED DIMENSION  
(~46mm)



ELECTRICAL SPECIFICATIONS			ELECTRICAL SPECIFICATIONS		
1	CONTACTOR, PIN OF STABLE POWER(gf)	4000gf	6	OPERATING TEMPERATURE	-40°C-85°C
2	CONNECTING STRENGTH(gf)	30kgf	7	WATER PROOF	IP67
3	INSULATION IMPEDANCE(DC500V, ONE MINUTES, THE RESULT COMES OUT)(MΩ Min)	100MΩ Min	8	RATED CURRENT( A Max)	0.3A Max
4	WITHSTANDING VOLTAGE(AC V, ONE MINUTES)	AC 800V, ONE MINUTES	9	RATED VOLTAGE( V Max)	48V Max
5	CONTACT RESISTANCE(DC A THE RESULTS COMES OUT Max Ω)	DC 1A THE RESULTS COMES OUT MAX 10mΩ	10	TRANSMISSION CHARACTERISTICS	Cat. 6A Class EA up to 500MHz

CABLE TYPE		
PIN NO.	568A	568B
1	WHITE/GREEN	WHITE/ORANGE
2	GREEN	ORANGE
3	WHITE/ORANGE	WHITE/GREEN
4	ORANGE	GREEN
5	WHITE/BROWN	WHITE/BROWN
6	BROWN	BROWN
7	WHITE/BLUE	WHITE/BLUE
8	BLUE	BLUE

ø5.2-ø5.9	A
ø5.9-ø7.2	B
ø6.6-ø7.5	C
CABLE ØD	SEAL HOLDER
CABLE SPEC.	23-26AWG

12	CONTACT , COPPER ALLOY , M-AU	8PCS
11	WASHER , COPPER ALLOY , M-NI , HEAT TREATMENT	1PCS
10	BUCKLE , SUS304	1PCS
9	CAP , ZDC3 , M-NI , ABRASIVE BLASTING	1PCS
8	FOOL PROOF , ZDC3 , M-NI , ABRASIVE BLASTING	1PCS
7	INSULATOR , PA66 , BLACK	1PCS
6	INSULATOR , PA66 , BLACK	1PCS
5	O-RING , RBR , BLACK	1PCS
4	BODY , ZDC3 , M-NI , ABRASIVE BLASTING	1PCS
3	CLAMP , ZDC3 , M-NI , ABRASIVE BLASTING	1PCS
2	SEAL , PA6 , BLACK	1PCS
1	CAP , ZDC3 , M-NI , ABRASIVE BLASTING	1PCS
ITEM	DESCRIPTION	Q'TY

RoHS COMPLIANT

Unit:mm(inch)	PROJECTION
GENERAL TOLERANCES: (UNLESS SPECIFIED)	D.R. 12/18/2023
0 =±1 (0.039)	Philip
0.0 =±.5 (0.02)	CH.K 12/18/2023
0.00 =±.3 (0.012)	Philip
0.000=±.15(0.006)	APV.D 12/18/2023
0° =± 2'	Richard
0.0° =± 1'	

ZCables.com			PD./FILE NO.
TITLE		M12 X-Code 8 Pin Plug Male Contact	
SCALE	SIZE	PART NO.	REV. 01
1:1	A4	PZAACM12A12081	SHEET 1 OF 1