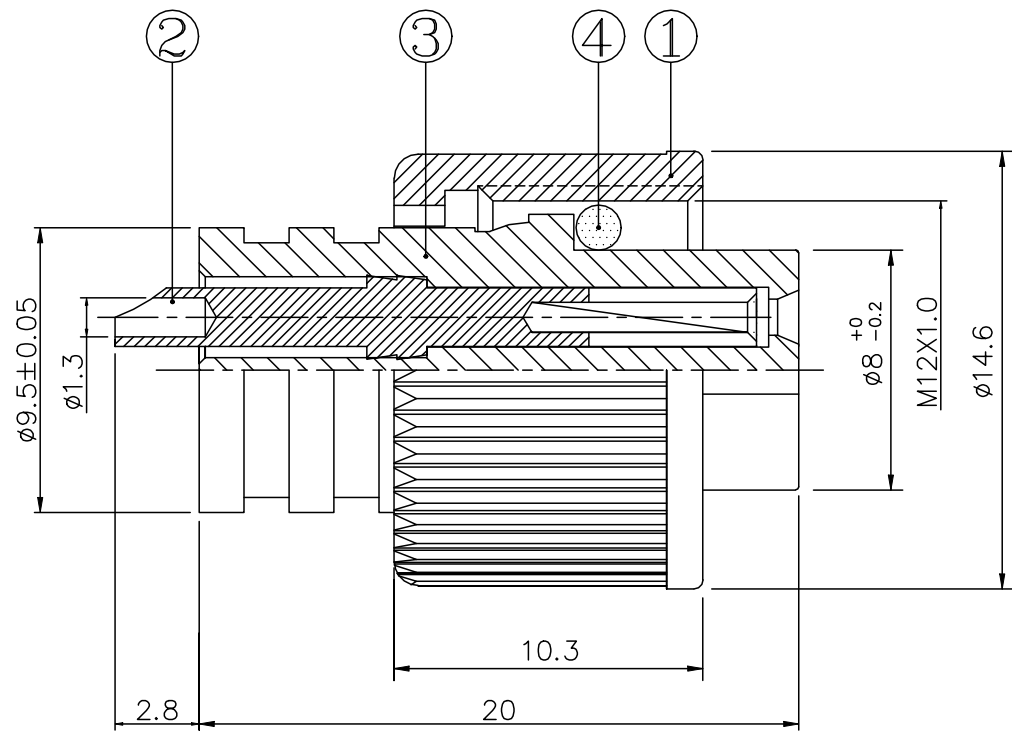
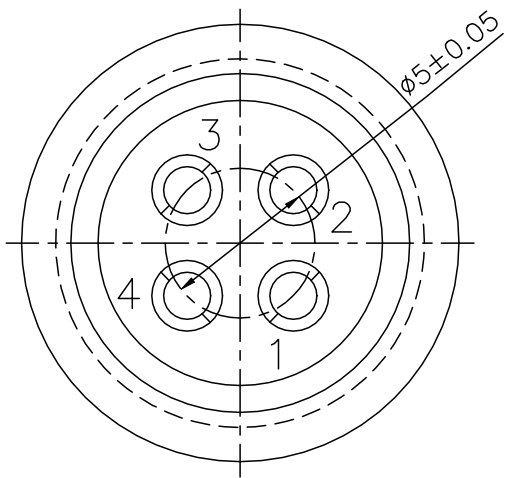


1	2	3	4	5	6	7	8				
THIS DRAWING AND THE DATA DISCLOSED HEREIN OR HEREWITH IS NOT TO BE REPRODUCED USED OR DISCLOSED IN WHOLE OR IN PART TO ANYONE WITHOUT THE PERMISSION OF JESS-LINK PRODUCTS CO.,LTD.(JPC)				CUSTOMER DRAWING DRWC-XXXXXX		REV.	ECN NO.	DESCRIPTION	MDF'D	APP'D	DATE
						01		INITIAL DESIGN	Philip	Richard	12/18/2023
						02					
						03					

Items	Electrical specifications
Rated current/voltage	4A / AC 250V
Withstanding voltage	AC 300V(rms) for 1 minute
Insulation resistance	100MΩmin. at DC 500V
Contact resistance	3mΩmax. at DC 1A



ITEM	DESCRIPTION	Q'TY
4	O-RING , SILICON , BROWN	1 PCS
3	INSULATOR , NYLON , UL 94V-0 , BLACK	1 PCS
2	CONTACT , COPPER ALLOY , M-AU	4 PCS
1	CAP , AL ALLOY , COATING , BLACK	1 PCS

RoHS COMPLIANT	Unit:mm(inch)	PROJECTION 	ZCables.com			
	GENERAL TOLERANCES: (UNLESS SPECIFIED)	D.R. 12/18/2023			TITLE	
	0 =±1 (0.039)	Philip	M12 A-Code 4 Pin Plug	PD./FILE NO.		
	0.0 =±.3 (0.012)	Philip	Female Contact			
0.000=±.15(0.006)	APV.D 12/18/2023	SCALE	SIZE	PART NO.	REV.	01
0° =± 2'	Richard	1:1	A4	PZAACM12B12041	SHEET	OF 1
0.0° =± 1'						