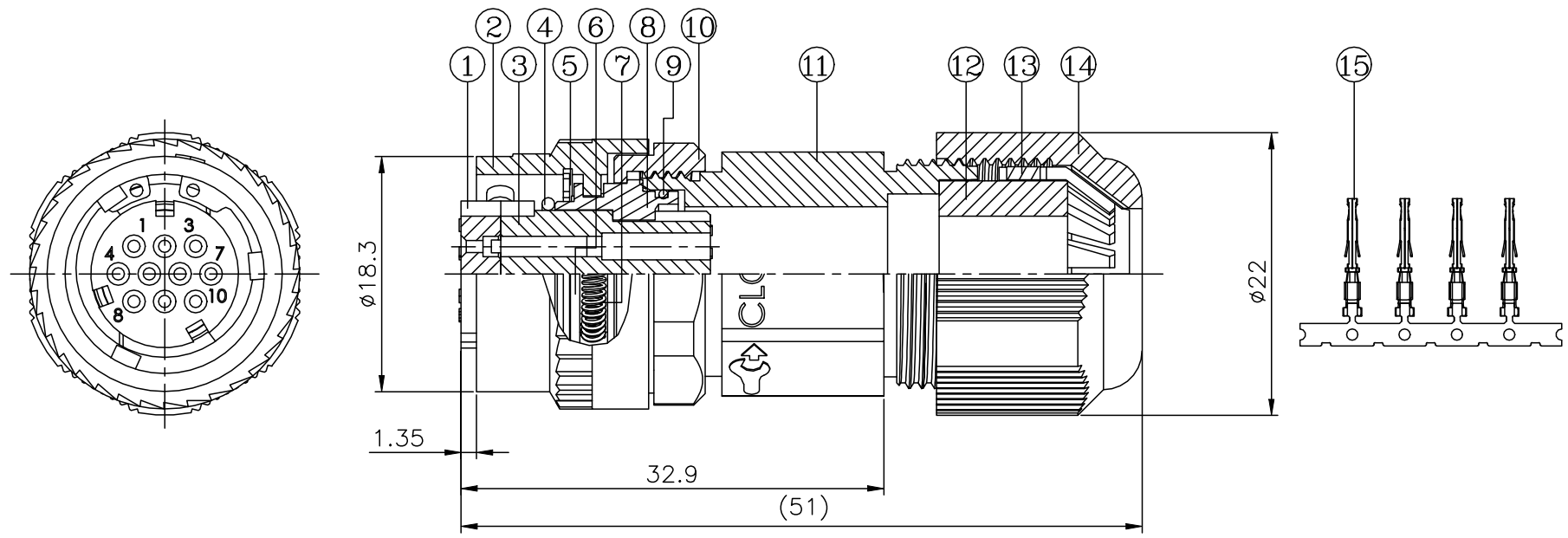


THIS DRAWING AND THE DATA DISCLOSED HEREIN OR HEREWITH IS NOT TO BE REPRODUCED USED OR DISCLOSED IN WHOLE OR IN PART TO ANYONE WITHOUT THE PERMISSION OF JESS-LINK PRODUCTS CO.,LTD.(JPC)		CUSTOMER DRAWING DRWC-XXXXXX		REV.	ECN NO.	DESCRIPTION	MDF'D	APP'D	DATE
				01		INITIAL DESIGN	Philip	Richard	12/18/2023
				02					
				03					

ELECTRICAL CHARACTERISTICS		
1	Rated current	3A
2	Operation limit voltage (AC.V.rms)	200
3	Withstanding voltage (AC.V.rms) 1 minute	900
4	Insulation resistance(MΩ MIN.) at DC 500V	1000
5	Waterproof	IP67
6	Cable Outside Dia.	ø6.0~ø9.0



15	CONTACT , COPPER ALLOY , M-NI/M-AU , Accessories Purchased Separately	10 PCS
14	NUT , PLASTIC , BLACK	1 PCS
13	CLAMP , PLASTIC , WHITE	1 PCS
12	PIPE , RUBBER , BLACK	1 PCS
11	BODY , ZN ALLOY , M-NI	1 PCS
10	NUT , COPPER ALLOY , M-NI	1 PCS
9	O-RING , RUBBER , BLACK	1 PCS
8	BODY , ZN ALLOY , M-NI	1 PCS
7	SPRING , SPRING STEEL , M-NI	2 PCS
6	WASHER , PLASTIC , WHITE	2 PCS
5	C-RING , SUS	1 PCS
4	O-RING , RUBBER , BLACK	1 PCS
3	INSULATOR , DUPONT NEPORENE , BLACK	1 PCS
2	CAP , ZN ALLOY , M-NI	1 PCS
1	INSULATOR , PLASTIC , BLACK	1 PCS
ITEM	DESCRIPTION	Q'TY

RoHS COMPLIANT	Unit:mm(inch)	PROJECTION 	ZCables.com	
	GENERAL TOLERANCES: (UNLESS SPECIFIED) 0 =±1 (0.039) 0.0 =±.5 (0.02) 0.00 =±.3 (0.012) 0.000=±.15(0.006) 0° =± 2° 0.0° =± 1°	D.R. 12/18/2023 Philip CH.K 12/18/2023 Philip APV.D 12/18/2023 Richard		
	SCALE 1:1	SIZE A4	PART NO. PZAACWPMB15101	REV. 01
				SHEET 1 OF 1