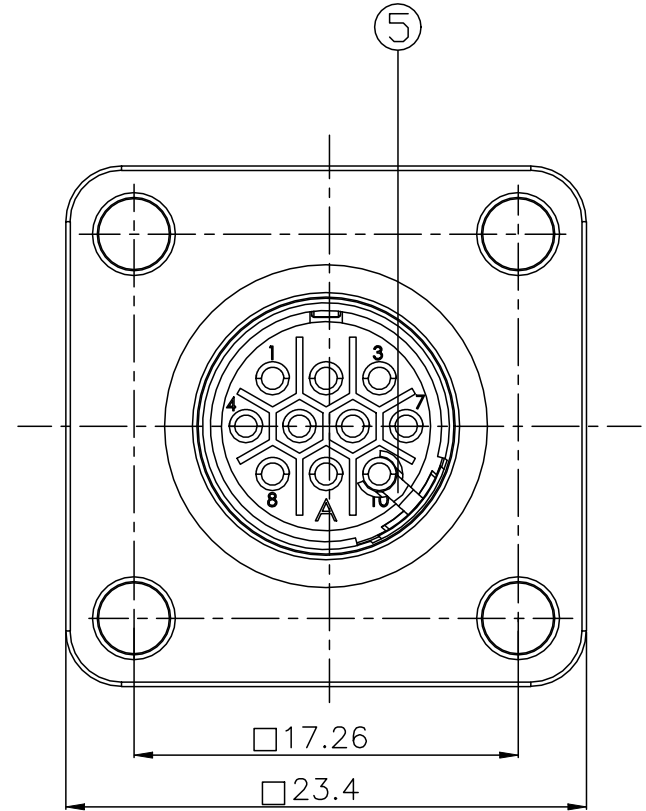
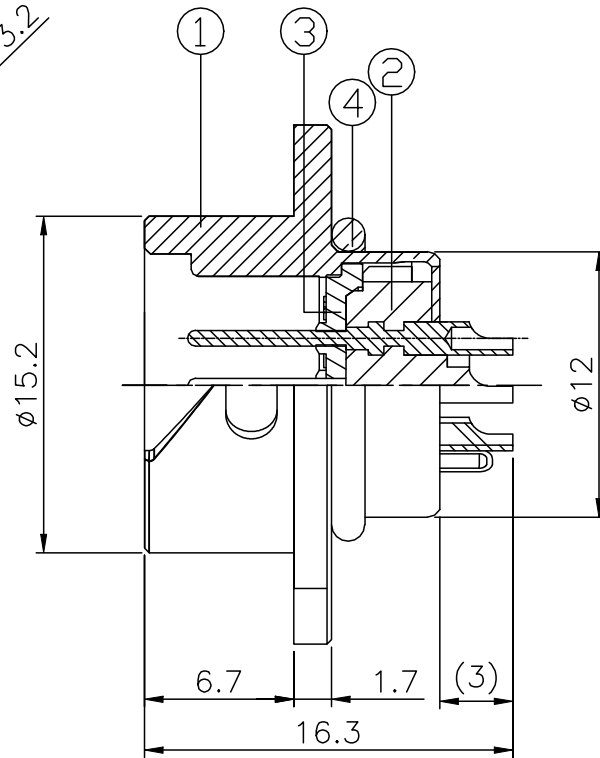
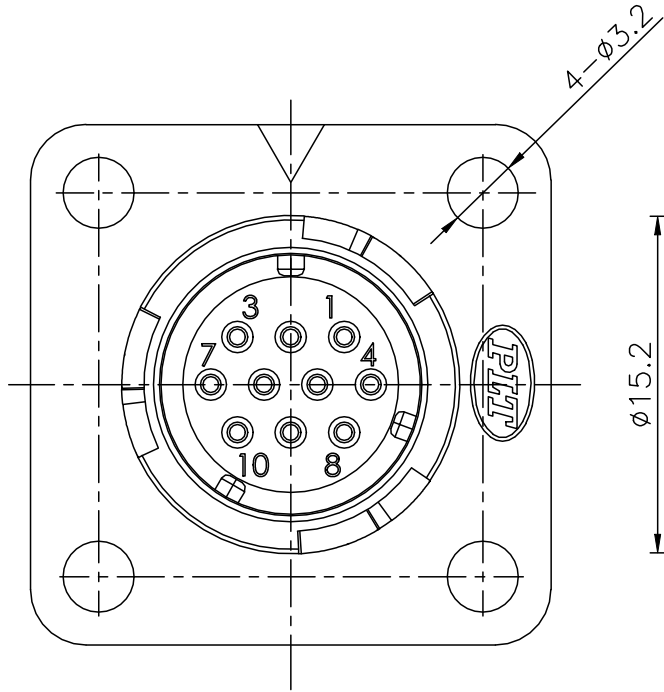
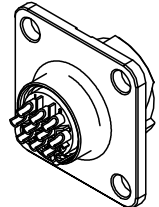


THIS DRAWING AND THE DATA DISCLOSED HEREIN OR HEREWITH IS NOT TO BE REPRODUCED USED OR DISCLOSED IN WHOLE OR IN PART TO ANYONE WITHOUT THE PERMISSION OF JESS-LINK PRODUCTS CO.,LTD.(JPC)

CUSTOMER DRAWING
DRWC-XXXXXX

REV.	ECN NO.	DESCRIPTION	MDF'D	APP'D	DATE
01		INITIAL DESIGN	Philip	Richard	12/18/2023
02					
03					

ELECTRICAL CHARACTERISTICS			
NO.	1	Operation limit voltage (AC.V.rms)	3A/AC200V
	2	Withstanding voltage (AC.V.rms) 1 minute	900
	3	Insulation resistance(MΩ MIN.) at DC 500V	1000



ITEM	DESCRIPTION	Q'TY
5	EARTH BLATE , COPPER ALLOY , M-AU	1 PCS
4	O-RING , RUBBER , BLACK	1 PCS
3	WASHER , RUBBER , BLACK	1 PCS
2	INSULATIR W/H CONTACT , M-AU , BLACK	1 PCS
1	BODY , ZN ALLOY , M-NI	1 PCS

RoHS COMPLIANT	Unit:mm(inch)	PROJECTION	ZCables.com				
	GENERAL TOLERANCES: (UNLESS SPECIFIED): 0 = ±1 (0.039) 0.0 = ±5 (0.02) 0.00 = ±3 (0.012) 0.000 = ±.15 (0.006) 0° = ± 2° 0.0° = ± 1°				D.R. 12/18/2023 Philip	TITLE Waterproof-15 Series 10 Pin Receptacle Male Contact	PD./FILE NO.
			CH.K 12/18/2023 Philip	SCALE	SIZE	PART NO.	REV. 01
			APV.D 12/18/2023 Richard	1:1	A4	PZAACWPMC15101	SHEET 1 OF 1