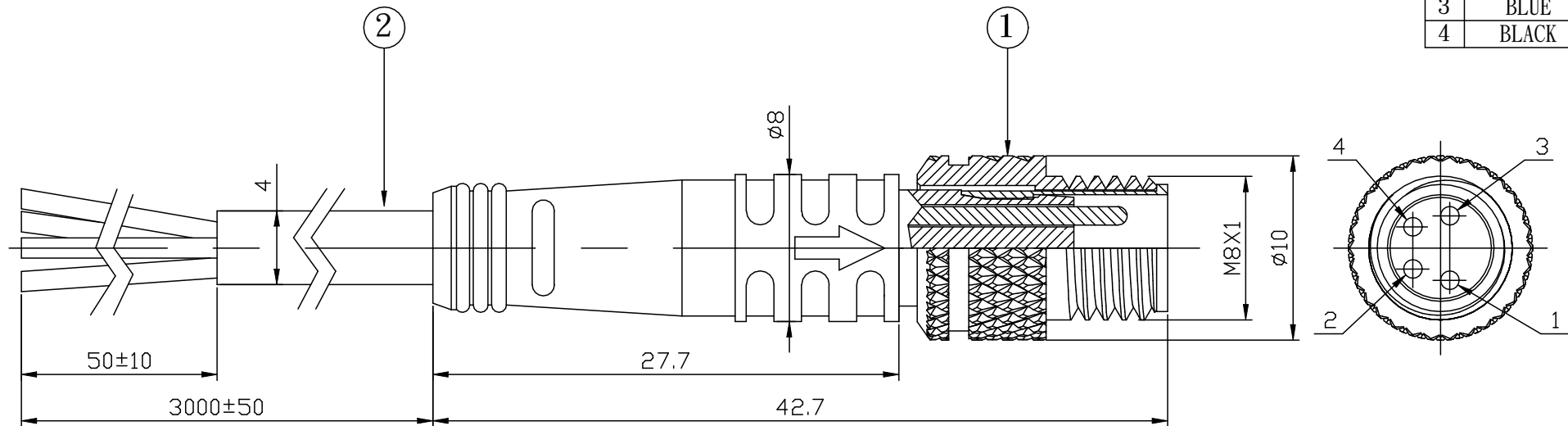


1	2	3	4	5	6	7	8				
THIS DRAWING AND THE DATA DISCLOSED HEREIN OR HEREWITH IS NOT TO BE REPRODUCED USED OR DISCLOSED IN WHOLE OR IN PART TO ANYONE WITHOUT THE PERMISSION OF JESS-LINK PRODUCTS CO.,LTD.(JPC)				CUSTOMER DRAWING DRWC-XXXXXX		REV.	ECN NO.	DESCRIPTION	MDF'D	APP'D	DATE
						01		INITIAL DESIGN	Philip	Richard	12/14/2023
						02					
						03					

No.	ELECTRICAL SPECIFICATIONS	
1	Rated current/voltage	3A-125V MAX. 5mA-5V MIN.
2	Operation limits voltage (AC.V.rms)	
3	Withstanding voltage (AC.V.rms) 1minute	300
4	Insulation resistance (MΩ MIN.) at DC 500V	100

No.	Cord color
1	BROWN
2	WHITE
3	BLUE
4	BLACK



2	WIRE , UL2464 CORE 24AWG , BLACK JACKET	3.03M
1	4 PIN CONNECTOR	1 PCS
ITEM	DESCRIPTION	Q'TY

RoHS COMPLIANT	Unit:mm(inch)	PROJECTION	ZCables.com	
	GENERAL TOLERANCES: (UNLESS SPECIFIED)	D.R. 12/14/2023	TITLE	PD./FILE NO.
	0 =±1 (0.039)	Philip	M8 Plug 4 Pin Male Contact To Open Cable 3M	
	0.0 =±.5 (0.02)	CH.K 12/14/2023	SCALE	SIZE
0.00 =±.3 (0.012)	Philip	1:1	A4	PART NO.
0.000=±.15(0.006)	APV.D 12/14/2023	Richard		PZBACN030-0004
0° =± 2'				REV. 01
0.0° =± 1'				SHEET OF 1