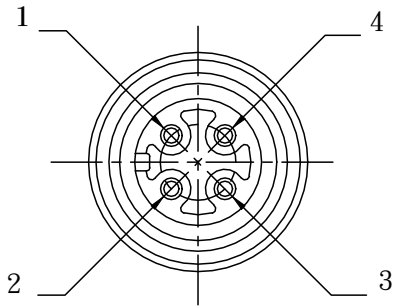
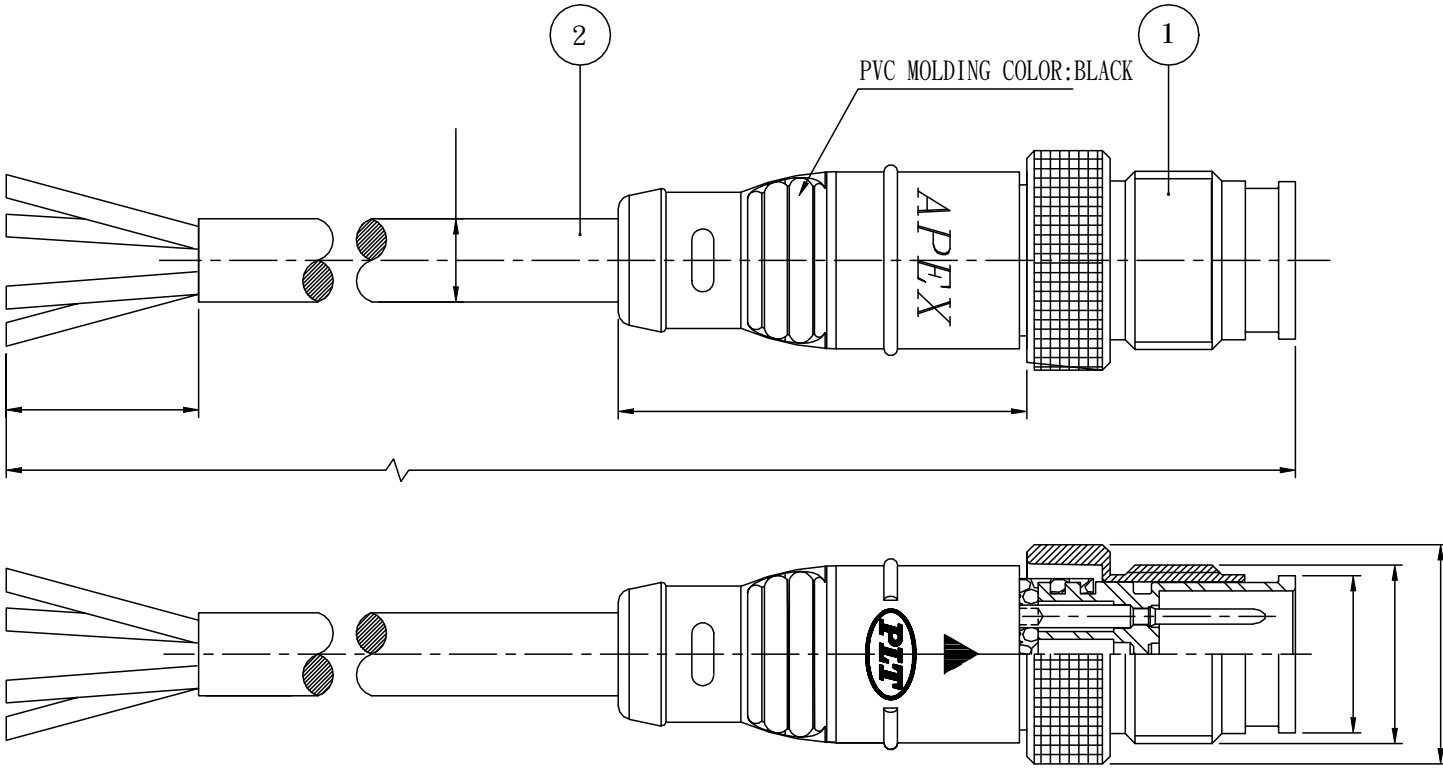


1	2	3	4	5	6	7	8				
THIS DRAWING AND THE DATA DISCLOSED HEREIN OR HEREWITH IS NOT TO BE REPRODUCED USED OR DISCLOSED IN WHOLE OR IN PART TO ANYONE WITHOUT THE PERMISSION OF JESS-LINK PRODUCTS CO.,LTD.(JPC)				CUSTOMER DRAWING DRWC-XXXXXX		REV.	ECN NO.	DESCRIPTION	MDF'D	APP'D	DATE
						01		INITIAL DESIGN	Philip	Richard	12/15/2023
						02					
						03					

Items	Electrical specifications
Rated current/voltage	AC/DC 5V-5mA min. AC/DC 250V-4A max.
Withstanding voltage	AC 1000V(rms) for 1 minute
Insulation resistance	100M Ω min. at DC 500V
Contact resistance	40m Ω max. at DC 1A

Contact No.	Cord color
1	BROWN
2	WHITE
3	BLUE
4	BLACK



2	WIRE , PVC BLACK , UL 22AWG	130FW
1	4 PIN CONNECTOR	1 PCS
ITEM	DESCRIPTION	Q'TY

RoHS COMPLIANT	Unit:mm(inch)	PROJECTION	ZCables.com	
	GENERAL TOLERANCES: (UNLESS SPECIFIED)	D.R. 12/15/2023	PD./FILE NO.	
	0 =±1 (0.039)	Philip	TITLE	
	0.0 =±.3 (0.012)	CH.K 12/15/2023	M12 A Code 4 Pin Plug Male Contact to Open Cable 1M	
0.000=±.15(0.006)	Philip	SCALE	SIZE	PART NO.
0° =± 2'	APV.D 12/15/2023	1:1	A4	PZBACP010-0002
0.0° =± 1'	Richard			REV. 01
				SHEET 1 OF 1