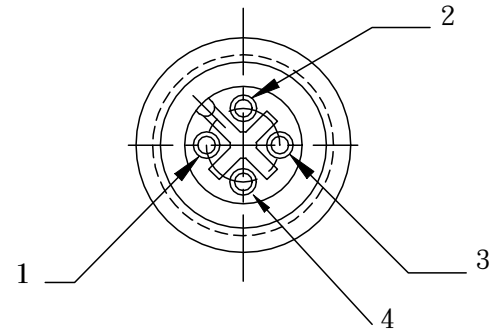
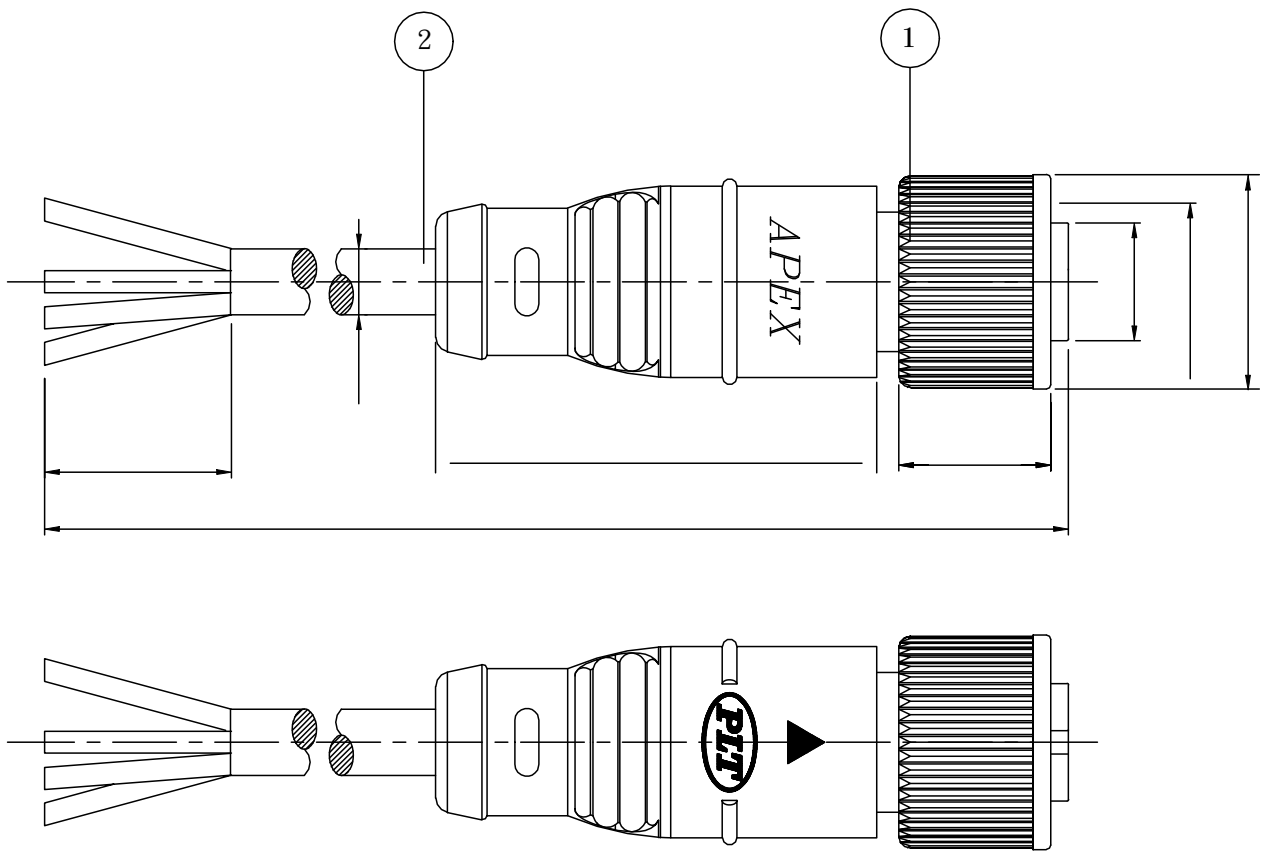


1	2	3	4	5	6	7	8				
THIS DRAWING AND THE DATA DISCLOSED HEREIN OR HEREWITH IS NOT TO BE REPRODUCED USED OR DISCLOSED IN WHOLE OR IN PART TO ANYONE WITHOUT THE PERMISSION OF JESS-LINK PRODUCTS CO.,LTD.(JPC)				CUSTOMER DRAWING DRWC-XXXXXX		REV.	ECN NO.	DESCRIPTION	MDF'D	APP'D	DATE
						01		INITIAL DESIGN	Philip	Richard	12/18/2023
						02					
						03					

Items	Electrical specifications
Rated current/voltage	AC/DC 5V-5mA min. AC/DC 125V-3A max.
Withstanding voltage	AC 300V(rms) for 1 minute
Insulation resistance	100M $\Omega$ min. at DC 500V

Contact No.	Cord color
1	BROWN
2	WHITE
3	BLUE
4	BLACK



ITEM	DESCRIPTION	Q'TY
2	WIRE , PVC BLACK , UL 22AWG	3M
1	4 PIN CONNECTOR	1 PCS

<b>RoHS COMPLIANT</b>	Unit:mm(inch)	PROJECTION 	<b>ZCables.com</b>		
	GENERAL TOLERANCES: (UNLESS SPECIFIED)	D.R. 12/18/2023 Philip			TITLE M12 A Code Plug 4 Pin Female Contact To Open Cable 3M
	0 =±1 (0.039) 0.0 =±.5 (0.02) 0.00 =±.3 (0.012) 0.000=±.15(0.006)	CH.K 12/18/2023 Philip	SCALE	SIZE	REV. 01
	0° =± 2° 0.0° =± 1°	APV.D 12/18/2023 Richard	1:1	A4	SHEET 1 OF 1
			PART NO. PZBACP030-0002		