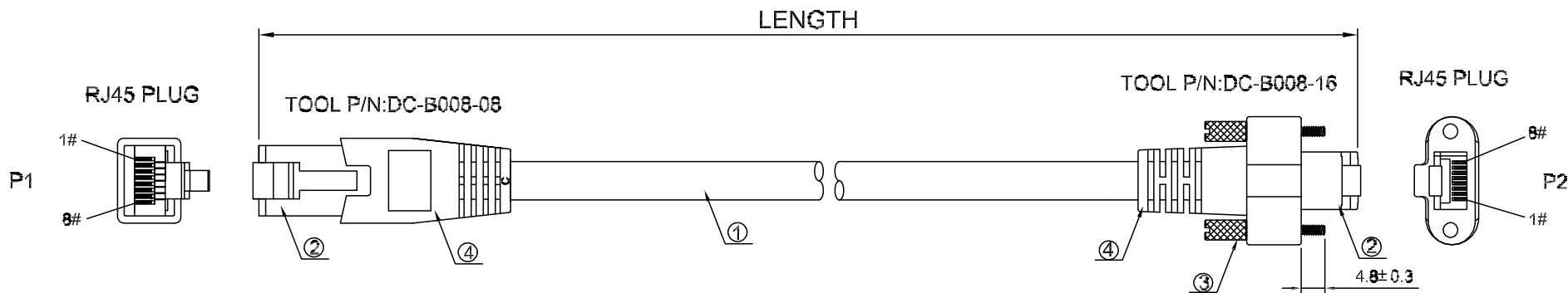


1	2	3	4	5	6	7	8				
THIS DRAWING AND THE DATA DISCLOSED HEREIN OR HEREWITH IS NOT TO BE REPRODUCED USED OR DISCLOSED IN WHOLE OR IN PART TO ANYONE WITHOUT THE PERMISSION OF JESS-LINK PRODUCTS CO.,LTD.(JPC)				CUSTOMER DRAWING DRWC-XXXXXX		REV.	ECN NO.	DESCRIPTION	MDF'D	APP'D	DATE
						01		INITIAL DESIGN	Philip	Richard	07/12/2023
						02					
						03					

A



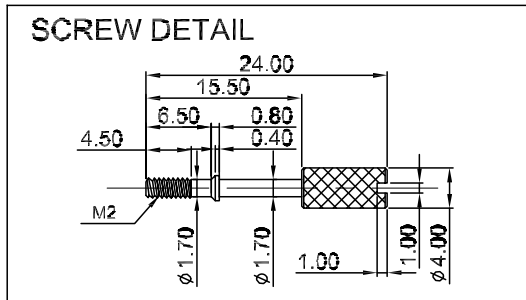
B

C

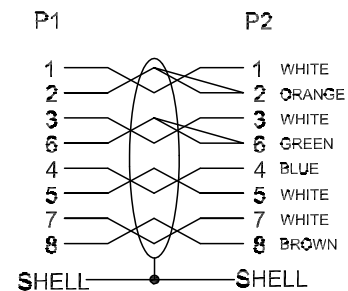
D

E

F



PIN ASSIGNMENT



PART NO.	LENGTH
PZBMLJ030-0001	3000±30

**NOTES:**

- PIN ASSIGNMENT SEE TO WIRE LIST.
- ELECTRICAL TEST CONDITION:
  - 100% OPEN, SHORT & MISWIRE TEST,
  - INSULATOR RESISTANCE: 20 Mohm MIN. DC 300V 0.01~0.28Sec.
  - CONTACT RESISTANCE: 3~10ohm MAX.

ITEM	QTY	PART NUMBER	DESCRIPTION
4		G0001	ALL CONNECTORS OVMOLD BLACK PVC.
3	2	C0332	SCREW:M2 4.0*24.0MM NICKEL PLATED.
2	2	A0650	RJ45 8P8C PLUG WITH SHELL CAT6.
1	1	E0762	SSTP CAT. 6 (26AWG*1PAIR+AM)*4+BRAID OD:6.2MM BLACK PVC JACKET .CSA.

RoHS COMPLIANT	Unit:mm(inch)	PROJECTION	ZCables.com	
	GENERAL TOLERANCES: (UNLESS SPECIFIED)	D.R. 07/12/2023	TITLE	PD./FILE NO.
	0 =±1 (0.039)	Philip	PJ45 Plug To RJ45 Plug With Dual Screw Lock Camera CAT6 SSTP Cable 3M	
	0.0 =±.5 (0.02)	CH.K 07/12/2023	SCALE	SIZE
0.00 =±.3 (0.012)	Philip	1:1	A4	PART NO.
0.000=±.15(0.006)	APV.D 07/12/2023	Richard		PZBMLJ030-0001
0° =± 2'				REV. 01
0.0° =± 1'				SHEET 1 OF 1

2 3 4 5 6 7 8